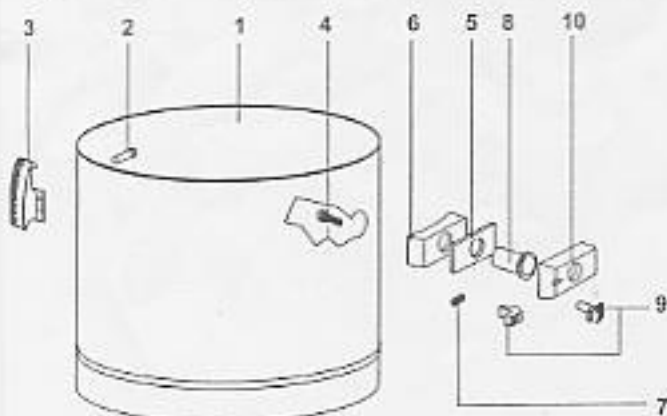
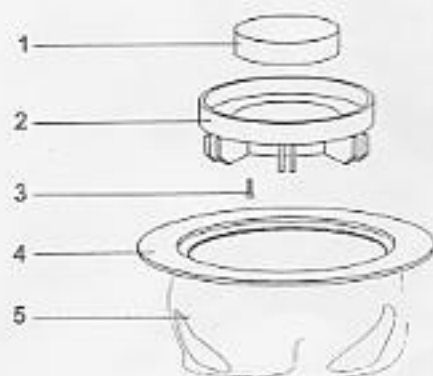


Master Vac 12S



MOTOR HEAD - MV 12S PART No. 2661p			
POSITION	PART No.	DESCRIPTION	QTY.
1	00117 GB	ELECTRIC CORD 2X1 (GB)	1
2	00138	FAIRLEAD	1
3	00139	LOCKLEAD	1
4	01006	SCREW T.1/2 CROSS 5X20	2
5	00450	TERMINAL BLOCK	1
6	02589	HOOK 99	1
7	01026	RAPIDFIX 5X30	4
8	02588	HANDLE 99	1
9	01050	RAPIDFIX 5X35	2
10	01050	RAPIDFIX 5X35	2
11	02590	COVER 99	1
12	00114	SWITCH	1
13	01008	SCREW T.1/2 CROSS 5X20	4
14	02754	GASKET COVER 99	1
15	02625	FILTER 30X10X1000	1
16	01050	RAPIDFIX 5X35	6
17	02587	COVERING 99	1
18	02625	FILTER 30X10X1000	1
19	02626	DEADENING FILTER SP 30 D.220	1
20	03189	SCREW M5x30 UNI 7989	1
21	02627	SCREW PAT TMT PHL 5X40	6
22	01198	SCREW 4.8X19	4
23	02591	MOTOR-FASTENER 99	1
24	03600	"L" GASKET S/P	1
25	02047	MOTOR 1000 W.240 V.50 HZ T.P.	1
26	00119 M	"L" GASKET FOR MOTOR 1200 W.	1
27	02629	FILTER MTP/30 65X15 L-405	1
28	01189 GP	BASE W/GASKET & CLIP	1
*	01101	CONNECTING WIRES	2
*	01106	CLIP	3
*	01107	WIRE WITH RESISTANCE	
40	02049	CAPACITOR ANTIJAMMING /C	1
41	01121	RESISTANCE 1/2 WATT 680 K-OHM	1

FILTER GROUP MV 12S			
POSITION	PART No.	DESCRIPTION	QTY
1	01203	ENTER FILTER PPI#45 D.115 (PACK OF 4)	1
2	00122	BASKET FOR FILTER 300	1
3	01050	RAPIDFIX 5X35	4
4	00507	FILTER RING 500	1
5	00124	POLYESTER FILTER H#75	1
4+5	00124/B	POLYESTER FILTER. CPL	
*	03362	PAPER BAG (PACK OF 10) MV 12	



TANK COMPLETE MV 12S PART No. 03277			
POSITION	PART No.	DESCRIPTION	QTY
1	03278	TANK MV 12S AISI 304	1
2	01301	RIVET 5X11	4
3	01847	COMPLETE PLASTIC HOOK	2
4	01026	RAPIDFIX 5X30	4
5	02848	GASKET D.38	1
6	02585	GASKET R.155	1
7	02608	SPIRAL SPRING 99	1
8	03365	DEFLECTOR	1
9	02594	PUSH BUTTON (2 PART)	1
10	02583	INLET 99	1

TROLLEY COMPLETE MV 12S PART No. 01219			
POSITION	PART No.	DESCRIPTION	QTY
1	01218	TROLLEY - NO WHEELS	1
2	02572	WHEEL D.42 W/SQUARE PLATE	4
3	02680	SCREW "TC" 4X15	16

