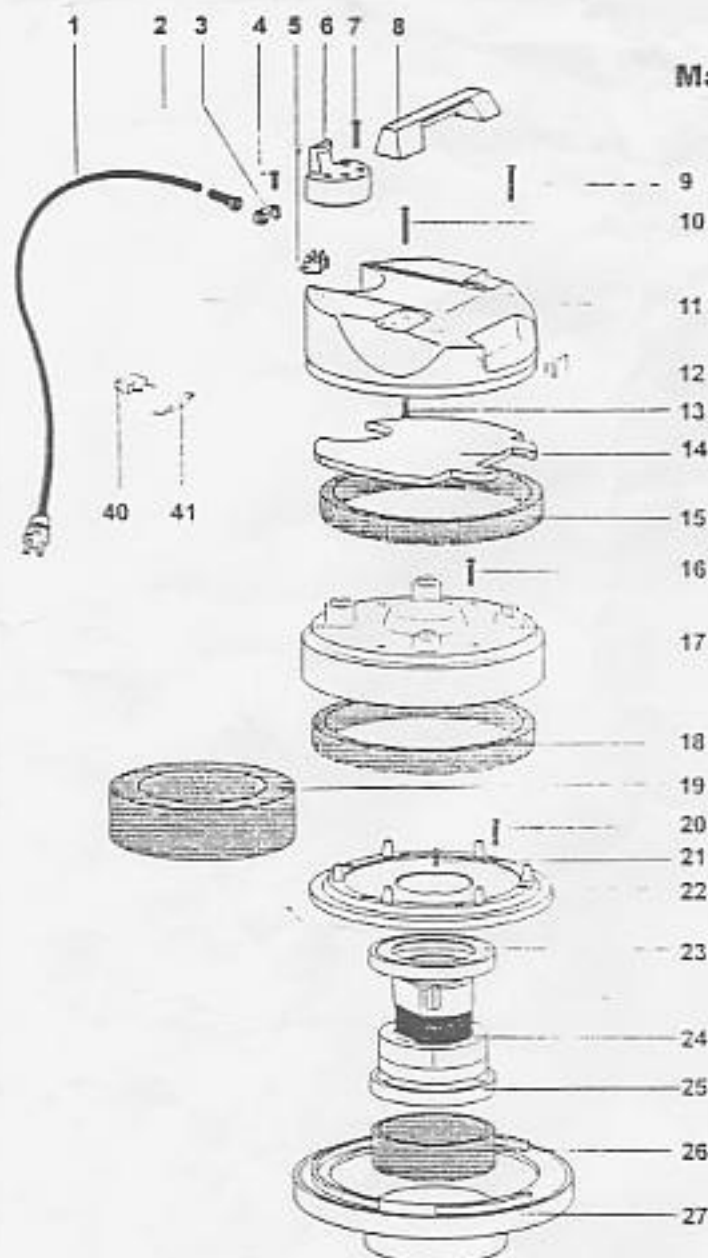


## Master Vac MV 12

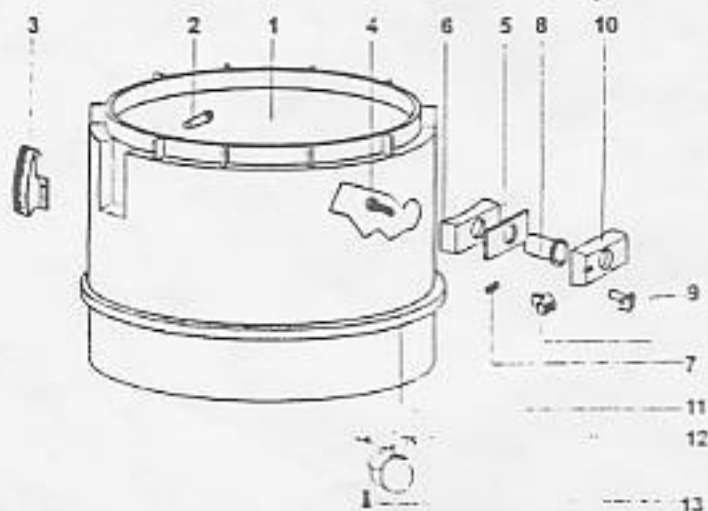
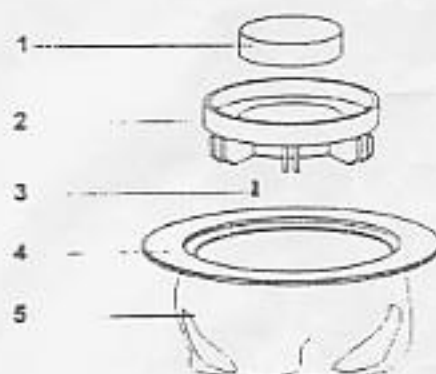


### MOTOR HEAD - MV 12/MV 15 PART No. 2661

POSITION	PART No.	DESCRIPTION	QTY.
1	00117 GB	ELECTRIC CORD 2X1 (GB)	1
2	00136	FAIRLEAD	1
3	00139	LOCKLEAD	1
4	01006	SCREW T. 1/2 CROSS 5X20	2
5	00450	TERMINAL BLOCK	1
6	02589	HOCK 99	1
7	01026	RAPIDFIX 5X30	4
8	02588	HANDLE 99	1
9	01050	RAPIDFIX 5X35	2
10	01050	RAPIDFIX 5X35	2
11	02590	COVER 99	1
12	00114	SWITCH	1
13	01006	SCREW T. 1/2 CROSS 5X20	4
14	02754	GASKET COVER 99	1
15	02625	FILTER 30X10X1000	1
16	01050	RAPIDFIX 5X35	5
17	02587	COVERING 99	1
18	02625	FILTER 30X10X1000	1
19	02628	DEADENING FILTER SP 30 O.215	1
20	02627	SCREW PAT TMT PHL 5X40	6
21	01198	SCREW 4.8X19	4
22	02591	MOTOR-FASTENER 99	1
23	03660	T.L. GASKET S/F	1
24	02047	MOTOR 1000 W.240 V.50 HZ T.P.	1
25	00119 M	T.L. GASKET FOR MOTOR 1200 W.	1
26	02629	FILTER MTP/30 65X15 L=495	1
27	1189 G	BASE 500	1
*	01101	CONNECTING WIRES	2
*	01106	CLIP	3
40	02049	CAPACITOR ANTIJAMMING /C	1
41	01121	RESISTANCE 1/2 WATT 680 K-OHM	1

### FILTER GROUP MV 12 / MV 15

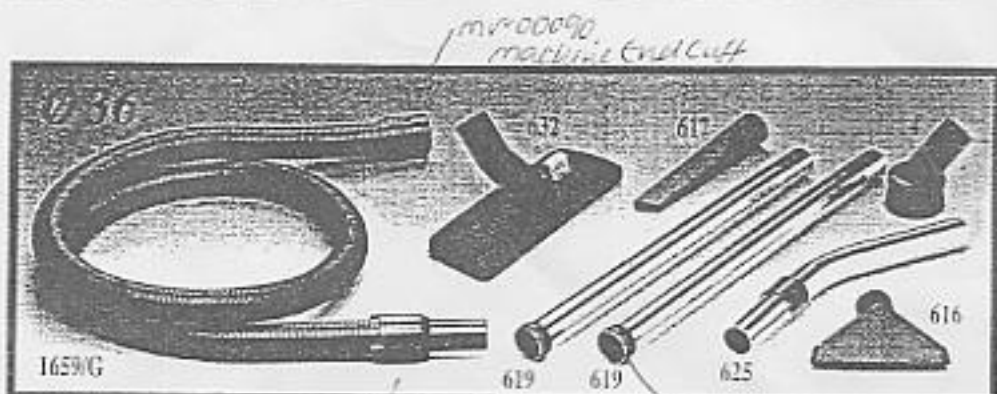
POSITION	PART No.	DESCRIPTION	QTY.
1	01203	ENTER FILTER PPV45 O.115 (PACK OF 4)	1
2	00122	BASKET FOR FILTER 300	1
3	01050	RAPIDFIX 5X35	4
4	00123	FILTER RING 300	1
5	00124	POLYESTER FILTER H=75	1
4+5	00124/A	POLYESTER FILTER, CPL.	1
*	02741	PAPER BAG (PACK OF 5) MV 15	
*	03382	PAPER BAG (PACK OF 10) MV 12	



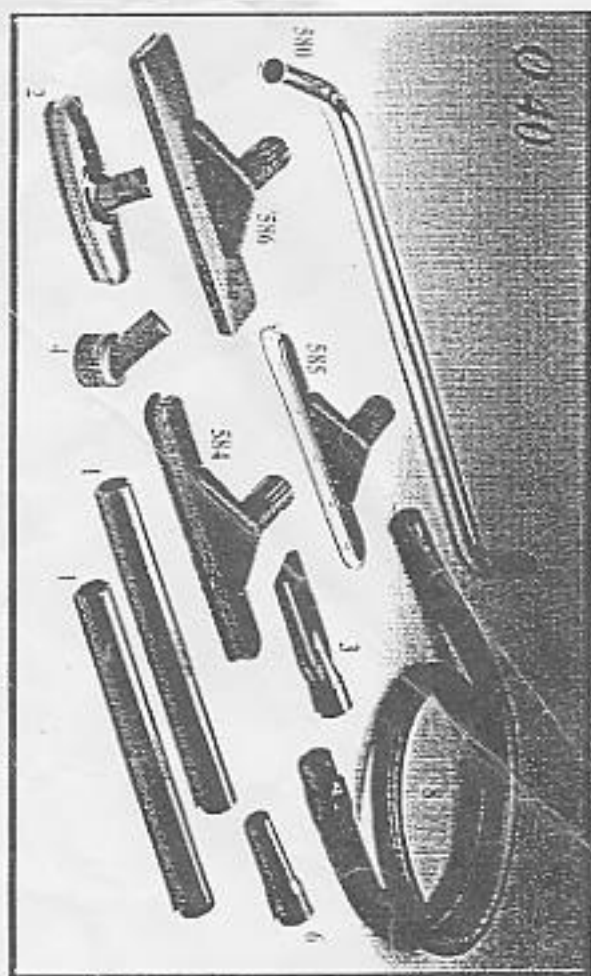
### TANK COMPLETE MV 12 PART No. 03552

POSITION	PART No.	DESCRIPTION	QTY.
1	03551	TANK - NO FITTINGS	1
2	01300	COLUMBUS RIVET	4
3	01847/S	COMPLETE PLASTIC HOOK/S	2
4	01026	RAPIDFIX 5X30	4
5	02646	GASKET O.38	1
6	02589	GASKET R 205	1
7	02608	SPIRAL SPRING 99	1
8	03385	DEFLECTOR	1
9	02594	PUSH BUTTON (2 PART)	1
10	02583	INLET 99	1
11	02630	ANTI-SHOCK BAND 99	1
12	02572	WHEEL O.42 W/SQUARE PLATE	4
13	02680	SCREW "TC" 4X15	16

MV 12 MASTER VAC ACCESSORIES 36mm Ø				
PART No.	DESCRIPTION	MV-02671	MV-02675	
01659/G	SUCTION HOSE COMPLETE 32mm Ø	*	*	
00004	ROUND BRUSH	*	*	
00616	UPHOLSTERY NOZZLE	*	*	
00617	CREVICE NOZZLE	*	*	
00619	EXTENSION TUBE	*	*	
00625	CURVED HAND TUBE W/SUCTION CONTROL	*	*	
00632	FLOOR TOOL COMPLETE	*	*	
NOT SHOWN	32-05-880 WET PICK UP TOOL W/WHEELS			*



Plastic extension  
MV-06240 X2



MASTER VAC ACCESSORIES 40mm Ø		
PART No.	DESCRIPTION	MV-01325
00001	PVC EXTENSION TUBE	
00002	STAIR BRUSH	
00003	CREVICE NOZZLE	
00004	ROUND BRUSH	
00006	ADAPTOR	
00008	SUCTION HOSE 38mm Ø	*
00580	DOUBLE WAND	*
03892	HARD FLOOR BRUSH W/WHEELS	*
03893	FLOOR SQUEEGEE W/WHEELS	*
03894	CARPET TOOL W/WHEELS	*
00584	HARD FLOOR BRUSH	
00585	HARD FLOOR SQUEEGEE	
00586	CARPET TOOL	

NOT SHOWN  
NOT SHOWN  
NOT SHOWN  
NOT SHOWN  
OLD TYPE  
OLD TYPE  
OLD TYPE