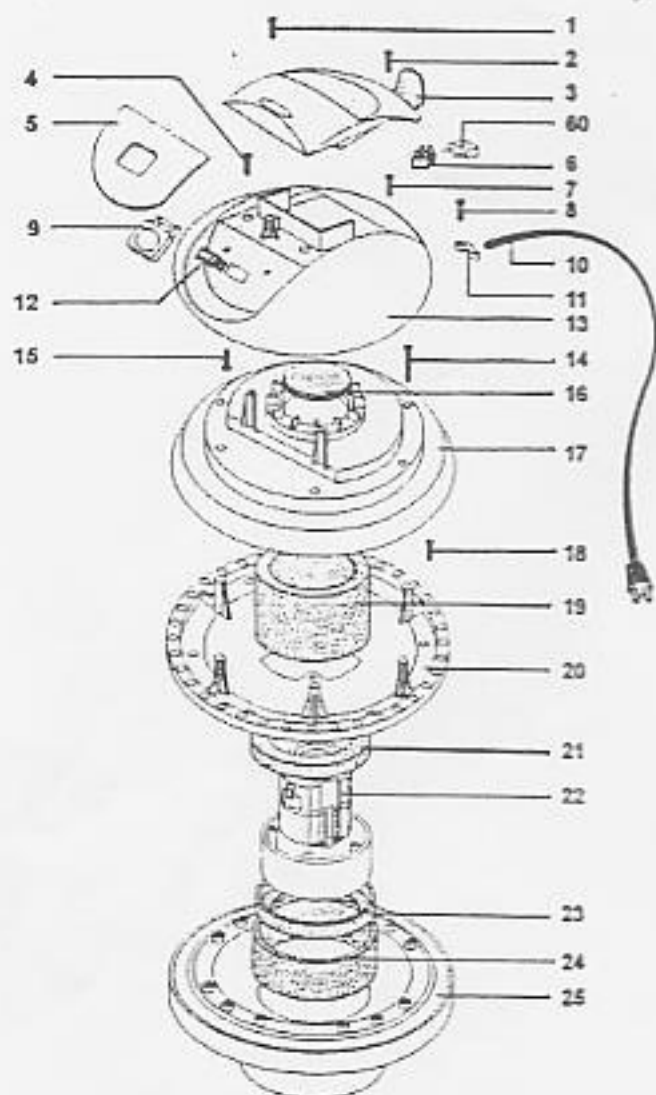


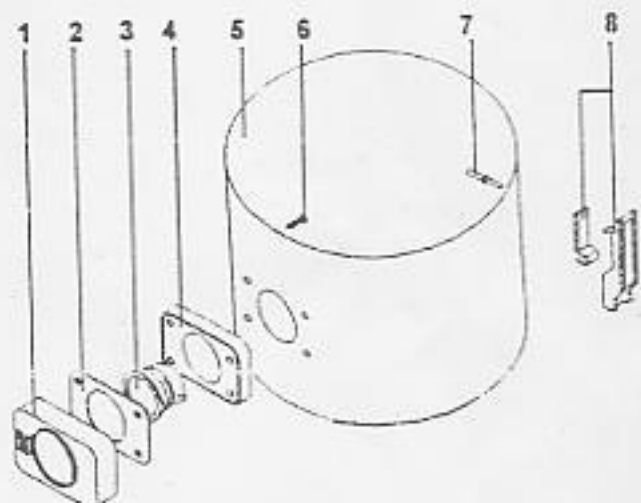
# YES DRY SUCTION CLEANER

Tank CPL

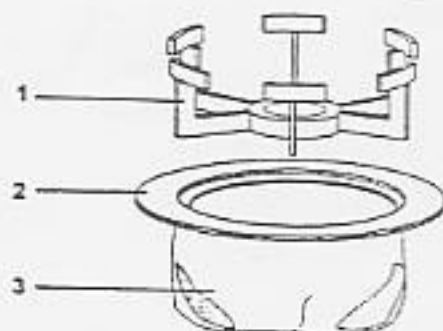
MOTOR HEAD YES DRY REF. 06085



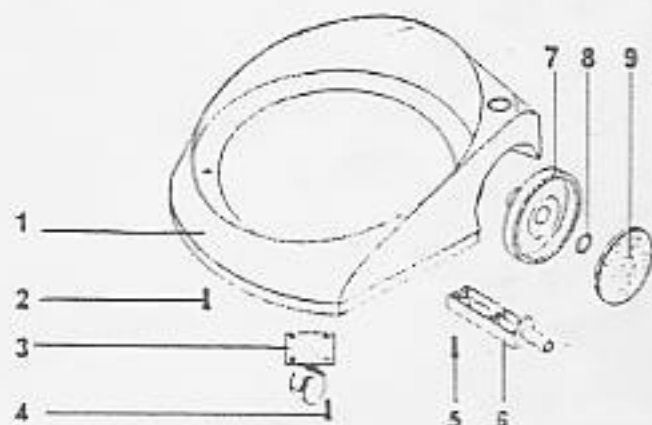
TANK ASSEMBLY YES DRY REF. 06085



FILTER ASSEMBLY COMPLETE YES DRY REF. 06053



TROLLEY COMPLETE YES REF. 06047



## YES DRY

Where appropriate state colour of part required

| MOTOR HEAD YES DRY REF. 06085 |          |                        |      |
|-------------------------------|----------|------------------------|------|
| POSITION                      | PART No. | DESCRIPTION            | QTY. |
| 1                             | 01006    | SCREW PFU TMT PHL 5X20 | 2    |
| 2                             | 01006    | SCREW PFU TMT PHL 5X20 | 2    |
| 3                             | 06031    | HANDLE                 | 1    |
| 4                             | 01006    | SCREW PFU TMT PHL 5X20 | 2    |
| 5                             | 06032    | SWITCH PLATE           | 1    |
| 6                             | 00450    | TERMINAL BLOCK         | 1    |
| 7                             | 01006    | SCREW PFU TMT PHL 5X20 | 2    |
| 8                             | 01006    | SCREW PFU TMT PHL 5X20 | 2    |
| 9                             | 06034    | SWITCH BUTTON          | 1    |
| 10                            | 00117    | ELECTRIC CORD 2X1 (GB) | 1    |
| 11                            | 00139    | CABLE CLAMP            | 1    |
| 12                            | 06013    | SWITCH                 | 1    |
| 13                            | 06033    | COVER                  | 1    |
| 14                            | 01050    | SCREW PAT TMT PHL 5X35 | 6    |
| 15                            | 01005    | SCREW PAT TMT PHL 5X14 | 2    |
| 16                            | 03383    | CAP                    | 1    |
| 17                            | 06036    | MOTOR COVER            | 1    |
| 18                            | 01006    | SCREW PFU TMT PHL 5X20 | 8    |
| 19                            | 03900    | FILTER MTP/65          | 1    |
| 20                            | 06037    | MOTOR PLATE            | 1    |
| 21                            | 03935    | MOTOR CLAMP            | 1    |
| 22                            | 03370    | MOTOR 1200w 230v       | 1    |
| 23                            | 03901    | MOTOR GASKET           | 1    |
| 24                            | 06093    | FILTER MTP/30          | 1    |
| 25                            | 03190    | MOTOR BASE             | 1    |
| *                             | 01101    | CONNECTING WIRES       | 2    |
| *                             | 01106    | CLIP                   | 3    |
| *                             | 09149    | LABEL "YES"            | 1    |
| 60                            | 03658    | CAPACITOR W/RESIST.    | 1    |
|                               |          |                        |      |
|                               |          |                        |      |
|                               |          |                        |      |
|                               |          |                        |      |

| FILTER ASSEMBLY COMPLETE YES DRY REF. 06053 |          |                       |      |
|---|----------|-----------------------|------|
| POSITION                                    | PART No. | DESCRIPTION           | QTY. |
| 1   | 02655    | FILTER BASKET         | 1    |
| 2   | 00507    | FILTER RING 500       | 1    |
| 3   | 00124    | POLYESTER FILTER H=75 | 1    |
|   |          |                       |      |
|   | 03362    | PAPER BAGS (10)       |      |

## YES DRY

Where appropriate state colour of part required

| TANK ASSEMBLY YES DRY REF. 06035 |          |                        |      |
|----------------------------------|----------|------------------------|------|
| POSITION                         | PART No. | DESCRIPTION            | QTY. |
| 1                                | 02652    | COMPLETE INLET 99      | 1    |
| 2                                | 02846    | GASKET D.38            | 1    |
| 3                                | 03365    | DRY DEFLECTOR 99       | 1    |
| 4                                | 02585    | GASKET R 155           | 1    |
| 5                                | 06038    | TANK ONLY              | 1    |
| 6                                | 01026    | SCREW PAT TMT PHL 5X30 | 4    |
| 7                                | 01302    | RIVET 5X19             | 4    |
| 8                                | 03602    | COMPLETE HOOK          | 2    |
|                                  |          |                        |      |
|                                  |          |                        |      |

| TROLLEY COMPLETE YES REF. 06047 |          |                        |      |
|---------------------------------|----------|------------------------|------|
| POSITION                        | PART No. | DESCRIPTION            | QTY. |
| 1                               | 06045    | TROLLEY FRAME          | 1    |
| 2                               | 01005    | SCREW PAT TMT PHL 5X14 | 4    |
| 3                               | 06030    | CASTOR WHEEL w/PLATE   | 2    |
| 4                               | 02680    | SCREW TC POZ 4X15      | 8    |
| 5                               | 01005    | SCREW PAT TMT PHL 5X14 | 8    |
| 6                               | 06042    | WHEEL SUPPORT          | 2    |
| 7                               | 06043    | WHEEL                  | 2    |
| 8                               | 02557    | RING D.18              | 2    |
| 9                               | 06044    | WHEEL COVER            | 2    |
|                                 |          |                        |      |
|                                 |          |                        |      |

| TOOL KIT YES DRY |          |                  |          |
|------------------|----------|------------------|----------|
|                  | PART No. | DESCRIPTION      | QTY.     |
|                  | 06046    | TOOL CLIP        | 1        |
|                  | 01659    | HOSE COMPLETE    | 1        |
|                  | 00625    | CURVED HAND TUBE | 1        |
|                  | 00619    | EXTENSION TUBE   | 2        |
|                  | 03367    | FLOOR NOZZLE     | 1        |
|                  | 00616    | UPHOLSTRY NOZZLE | 1        |
|                  | 00617    | CREVICE NOZZLE   | 1        |
|                  |          |                  |          |
|                  | 00004    | ROUND BRUSH      | OPTIONAL |
|                  | 05060    | TURBO BRUSH      | OPTIONAL |
|                  |          |                  |          |
|                  |          |                  |          |