

# MW340P Assembly Service Parts List

Model Ref.:- MW340P

Service Spares for Machines from Serial No: 002284 onward

Service Parts List Issue 2 Dated 25th-Sept-2003

Ref. Drawing MW340 Pump Series C Aug 2003

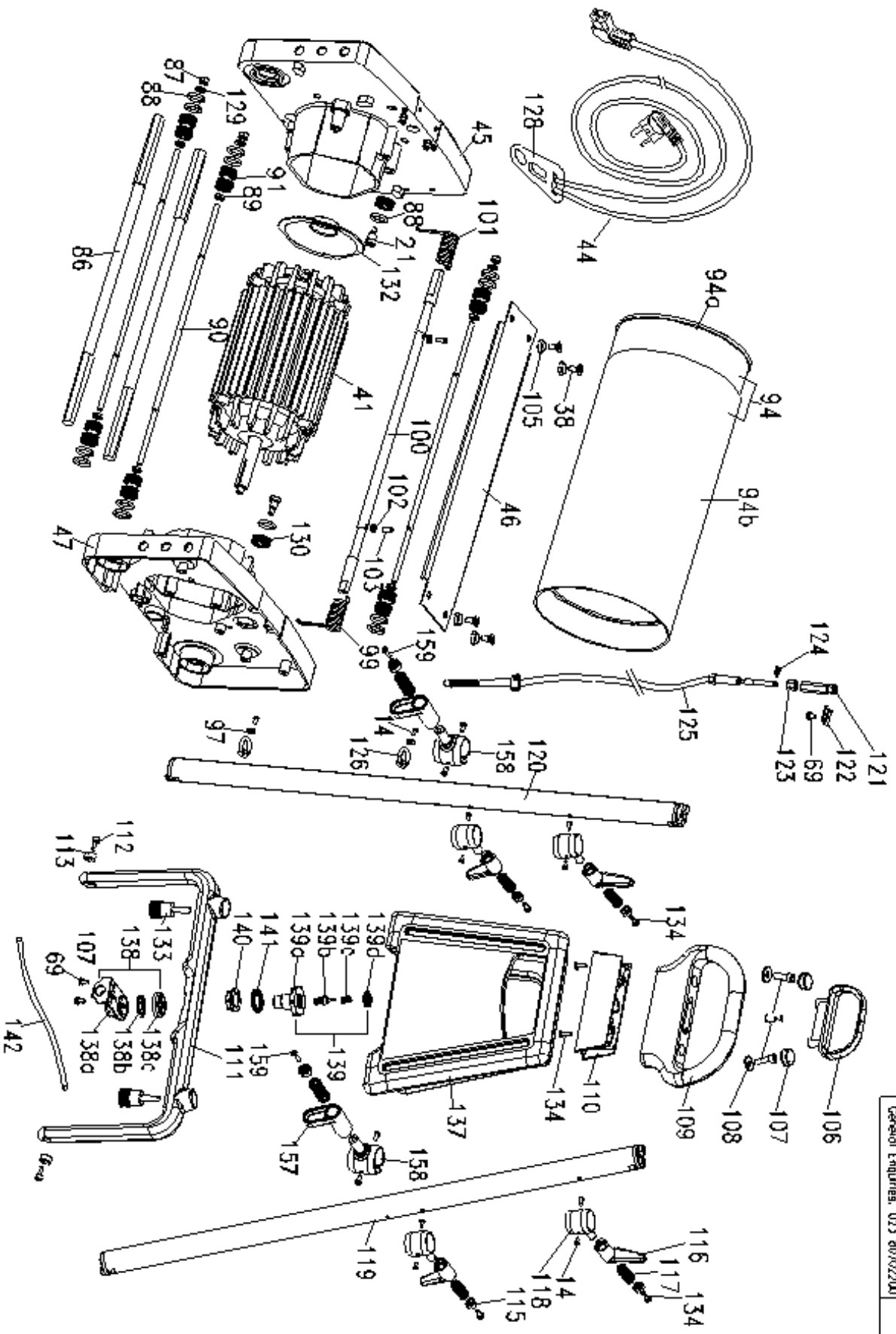
Drawing Ref.	Part Number	Description	Qty
1	90-0156-0000	BUMPER	2
2	90-0144-0000	ALLEN SCREW M6x15	14
3	90-0005-0000	ALLEN SCREW M6x20	6
4	90-0163-0000	LEVER	2
5	90-0257-0000	BUSH	1
6	90-0153-0000	CLEVIS PIN	1
7	90-0186-0000	LINK GUIDE	1
8	90-0159-0000	LINK	1
9	90-0033-0000	TRANSPORT SLIDER	1
10	90-0035-0000	PIN	2
11	90-0025-0000	SLIDER HOUSING	2
12	90-0258-0000	CSK SCREW – M4x10	8
13	90-0007-0000	WASHER -4.2x12x1.6	8
14	90-0183-0000	SELF TAPPING SCREW	24
15	90-0069-0000	LEVER ASSY	2
15a	90-0174-0000	LEVER	2
16	90-0070-0000	LEVER ASSY	1
16a	90-0175-0000	LEVER	1
17	90-0177-0000	LEVER BUTTON	4
18	90-0151-0000	CLEVIS PIN	5
19	90-0259-0000	PEDAL	1
20	90-0008-0000	WASHER-8.4x16x1.6	1
21	90-0123-0000	STUB AXLE	3
22	90-0260-0000	SPRING PEDAL	1
23	90-0261-0000	CSK SCREW - M5x25	1
24	90-0001-0000	CRPH SCREW M3x6	12
25	90-0262-0000	INSULATION TOP	1
26	90-0263-0000	INSULATION BOTTOM	1
27	90-0264-0000	SEAL	1
28	90-0162-0000	SHIELD	8
29	90-0265-0000	LEVER SWITCH ACT	1
30	90-0266-0000	LEVER SWITCH	1
31	90-0155-0000	BUSH	2
32	90-0051-0000	CIRCLIP	6
33	90-0267-0000	SHIELD	3
34	90-0040-0000	SHIELD	2
35	90-0268-0000	HOUSING SPROCKET	1
36	90-0188-0000	STOPPER	1
37	90-0048-0000	CAP	1
38	90-0143-0000	CSK SCREW M6x14	7
39	90-0269-0000	CONNECTOR	1

Drawing Ref.	Part Number	Description	Qty
40	90-0045-0000	GROMMET	3
41	90-0059-0000	MOTOR	1
42	90-0272-0000	CAPACITOR	1
43	90-0028-0000	CIRCUIT BREAKER	1
44	04-3310-0000	REPLACEMENT POWER CORD UK PLUG	1
44a	04-3314-0000	REPLACEMENT POWER CORD EURO PLUG	1
45	90-0315-0000	IDLE HOUSING	1
46	90-0198-0000	BRIDGE	1
47	90-0316-0000	DRIVE HOUSING	1
48	90-0126-0000	COVER	2
49	90-0102-0000	PUMP	1
50	90-0279-0000	CABLE	1
51	90-0343-0000	CABLE	1
52	90-0281-0000	CABLE	1
53	90-0282-0000	CABLE	1
54	90-0344-0000	CABLE	1
55	90-0278-0000	CABLE	1
56	90-0283-0000	SWITCH	2
57	90-0057-0000	SWITCH	2
58	90-0068-0000	LEVER ASSY	1
58a	90-0173-0000	LEVER	1
59	90-0011-0000	BELT 500 5 M	1
60	90-0012-0000	BELT 425 5 M	1
61	90-0062-0000	BRUSH SHAFT	2
62	90-0027-0000	SEAL	4
63	90-0154-0000	BUMPER	2
64	90-0345-0000	LID	1
65	90-0218-0000	FRESH WATER TANK	1
66	90-0113-0000	FILTER ASSY	1
66a	90-0225-0000	BODY FILTER	2
66b	90-0226-0000	SEAL FILTER	1
67	90-0141-0000	M4 NUT	3
68	90-0009-0000	BEARING 6003 2RS	9
69	90-0002-0000	CRPH SCREW M4x8	3
70	90-0285-0000	GEAR HOUSING	1
71	90-0138-0000	SCREW M3X30	2
72	90-0072-0000	DIRTY WATER TANK	1
73	90-0075-0000	LID	1
73a	90-0184-0000	LID-DIRTY WATER	1
73b	90-0055-0000	LID PAD	2
74	90-0024-0000	BRUSH SLIDER	1
75	90-0015-0000	BUSH	4
76	90-0020-0000	CAP	4
77	90-0061-0000	BRUSH SPROCKET	2
78	90-0065-0000	IDLER ASSY	1
78a	90-0169-0000	SPROCKET	1
78b	90-0161-0000	HUB	2
79	90-0148-0000	TOOTHED WASHER	1
80	90-0196-0000	WHEEL	4
81	90-0181-0000	BUSH	1
82	90-0121-0000	BEARING 608 2Z	1
83	90-0149-0000	WIRE TIE	--
84	90-0178-0000	BUSH	2
85	90-0180-0000	BUSH	1

Drawing Ref.	Part Number	Description	Qty
86	90-0167-0000	HEX SHAFT	2
87	90-0142-0000	HEX NUT M6	3
88	90-0176-0000	O' RING	14
89	90-0017-0000	WASHER	6
90	90-0170-0000	TIE ROD	3
91	90-0172-0000	ROLLER	6
92	90-0286-0000	GEAR - LH	1
93	90-0287-0000	GEAR - RH	1
94	90-0306-0000	DRUM ASSY	1
95	90-0284-0000	SPRING	1
96	90-0290-0000	SOCKET ASSY	1
96a	90-0291-0000	SOCKET	1
96b	90-0292-0000	TERMINAL	3
97	90-0145-0000	WASHER-4.2x8x0.8	2
98	90-0029-0000	PINION	1
99	90-0157-0000	SPRING	1
100	90-0171-0000	SHAFT	1
101	90-0158-0000	SPRING	1
102	90-0146-0000	WASHER - 5.2x10x1.5	2
103	90-0150-0000	GRUB SCREW M5x12	2
104	90-0197-0000	IDLER ASSY	1
105	90-0152-0000	WASHER	6
106	90-0026-0000	PULL HANDLE	1
107	90-0044-0000	PLUG	2
108	90-0006-0000	WASHER-6.4x18x2	2
109	90-0067-0000	TOP HANDLE	1
110	90-0165-0000	CAP	1
111	90-0235-0000	BOTTOM HANDLE	1
112	90-0004-0000	ALLEN SCREW M4x10	2
113	90-0030-0000	WASHER	2
114	90-0293-0000	ALLEN SCREW M6x10	2
115	90-0042-0000	WASHER	6
116	90-0019-0000	KNOB	4
117	90-0041-0000	SPRING	6
118	90-0168-0000	BASE-CABLE HOLDER	4
119	90-0255-0000	PIPE-LH	1
120	90-0256-0000	PIPE-RH	1
121	90-0039-0000	SLEEVE	1
122	90-0032-0000	CLAMP	1
123	90-0038-0000	NUT	1
124	90-0018-0000	CLAMP	1
125	90-0347-0000	PULL CABLE	1
126	90-0050-0000	GUIDE	2
127	90-0031-0000	DRUM SPROCKET	1
128	90-0010-0000	CABLE RETAINER	1
129	90-0147-0000	WASHER - 6.4x12x1.6	3
130	90-0294-0000	ROLLER	2
131	90-0295-0000	NUT	1
132	90-0179-0000	FAN COVER	1
133	90-0296-0000	KNOB	2
134	90-0046-0000	CRPH SCREW M4x12	8
135	90-0297-0000	NUT	2
136	90-0298-0000	SPRING WASHER M6	1
137	90-0103-0000	TANK	1
138	90-0110-0000	BASE VALVE	1

<b>Drawing Ref.</b>	<b>Part Number</b>	<b>Description</b>	<b>Qty</b>
<b>138a</b>	90-0202-0000	BASE	1
<b>138b</b>	90-0206-0000	SEAL	1
<b>138c</b>	90-0210-0000	CAP-VALVE	1
<b>139</b>	90-0111-0000	VALVE	1
<b>139a</b>	90-0203-0000	BODY-VALVE	1
<b>139b</b>	90-0341-0000	SEAL	1
<b>139c</b>	90-0229-0000	SPRING	1
<b>139d</b>	90-0204-0000	CAP-SPRING	1
<b>140</b>	90-0092-0000	NUT	1
<b>141</b>	90-0101-0000	GASKET	1
<b>142</b>	90-0104-0000	HOSE	2
<b>143</b>	90-0214-0000	SUPPORT RING	2
<b>144</b>	90-0094-0000	ADAPTOR NOZZLE	1
<b>145</b>	90-0093-0000	SEAL NOZZLE	1
<b>146</b>	90-0107-0000	NOZZLE	1
<b>147</b>	90-0099-0000	SPACER	1
<b>148</b>	90-0112-0000	BOOT	1
<b>149</b>	90-0209-0000	BASE SWITCH	1
<b>150</b>	90-0212-0000	LEVER	1
<b>151</b>	90-0227-0000	INSULATION	1
<b>152</b>	90-0140-0000	M3 NUT	2
<b>153</b>	90-0063-0000	GEAR SPROCKET	2
<b>154</b>	90-0100-0000	O-RING-PUMP	1
<b>155</b>	90-0348-0000	BOOT-LID	2
<b>156</b>	90-0213-0000	CLAMP	1
<b>157</b>	90-0230-0000	KNOB-TANK	2
<b>158</b>	90-0309-0000	BASE TANK HOLDER	2
<b>159</b>	90-0046-0000	SELF TAPPING SCREW	2
<b>160</b>	90-0349-0000	STRIP LID	2
<b>161</b>	90-0350-0000	EXTENSION BUSH	1
<b>162</b>	90-0353-0000	HOSE CLIP	1

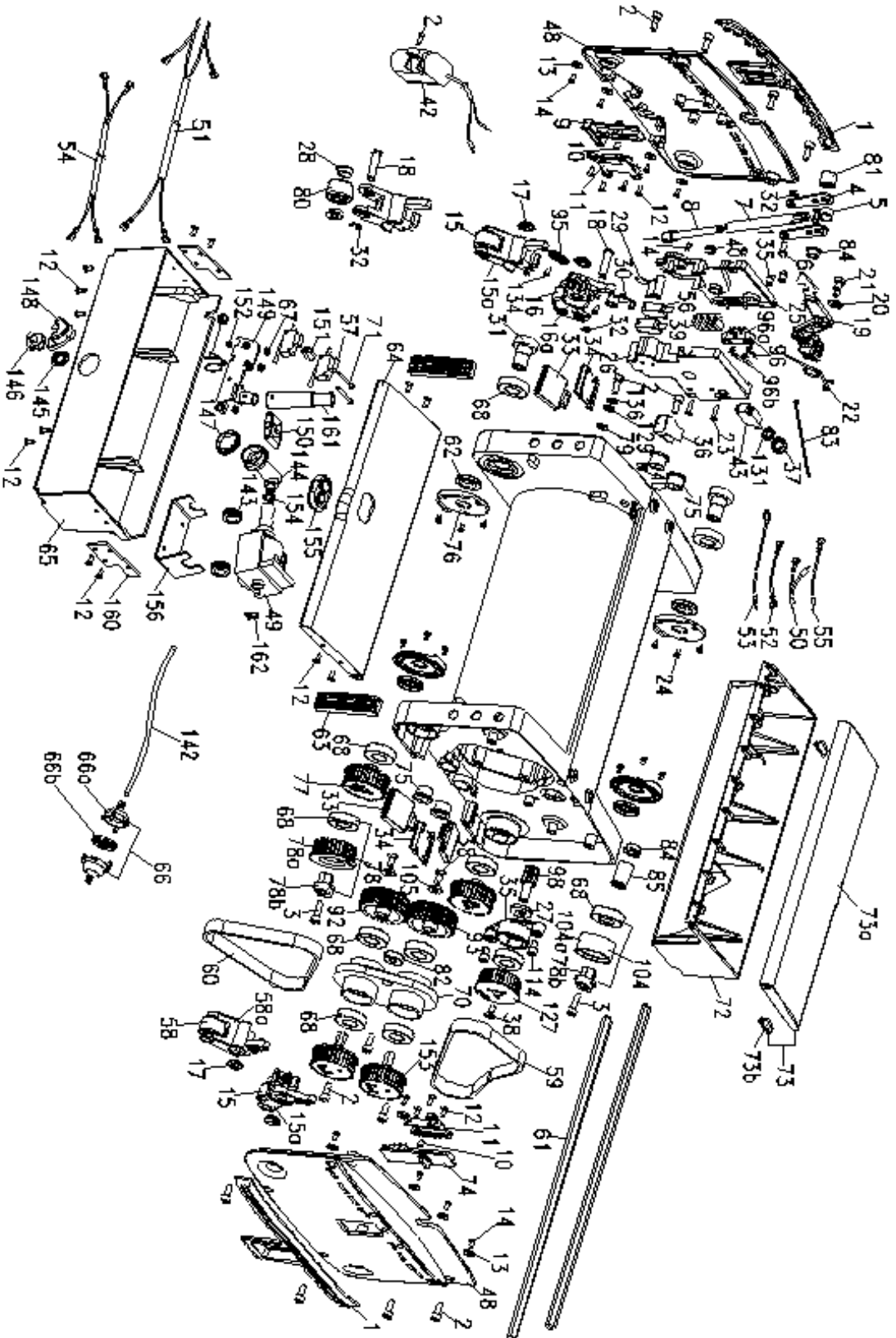
MW340—Pump Scrubber Dryer — Series C —  
 August 2003 Serial No: 002284 Onwards



Truvox International Ltd,  
 Third Avenue, Millbrook,  
 Southampton, Hampshire,  
 SO15 0LE.  
 Service & Spare: 023 80706801  
 Customer Services: 023 80706800  
 General Enquiries: 023 80702200



MW340-Pump Scrubber Dryer – Series C –  
 August 2003 Serial No: 002284 Onwards



Truvox International Ltd.,  
 Third Avenue, Millbrook,  
 Southampton, Hampshire,  
 SO15 0LE,  
 Service & Spares: 023 80708601  
 Dealer Service: 023 80708900  
 General Enquiries: 023 80702200

