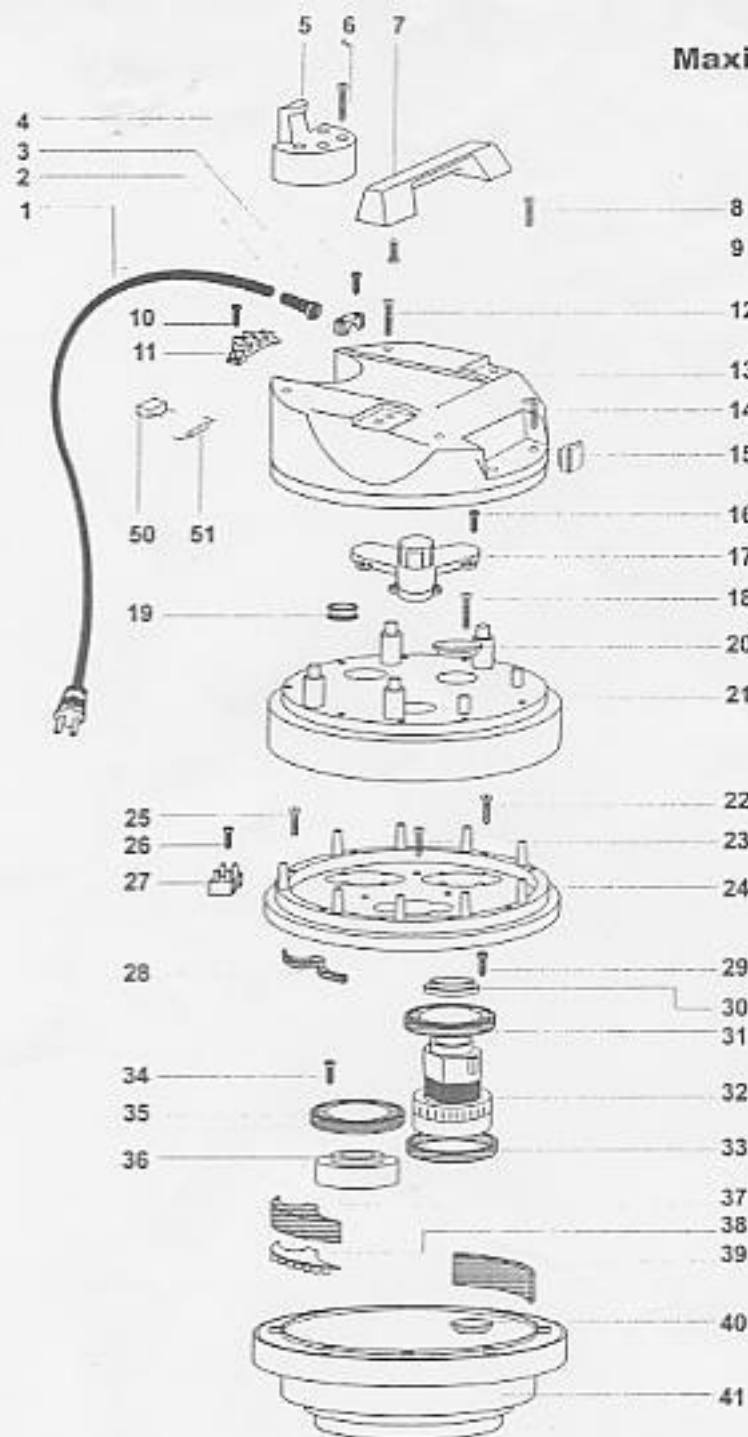


Maxi Master MVW 651

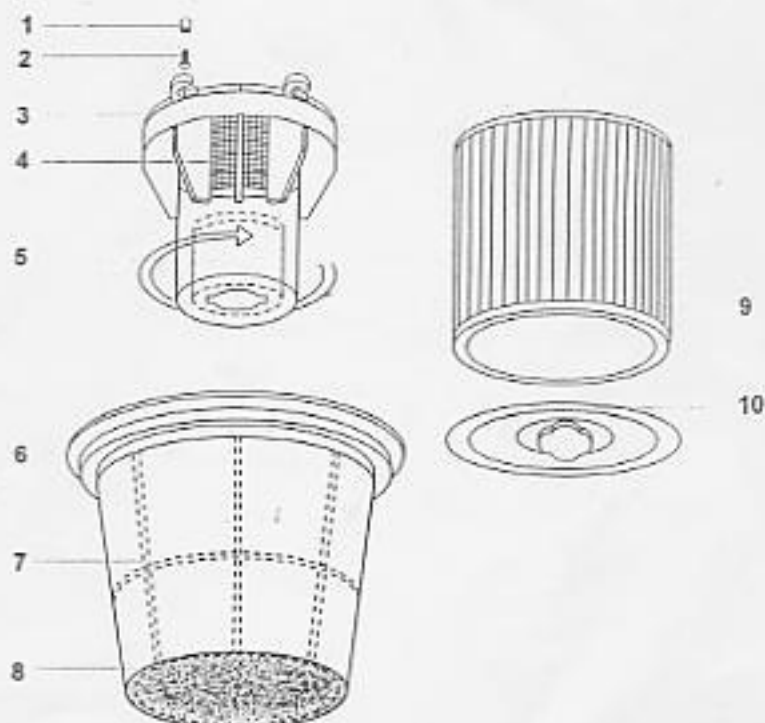


MOTOR HEAD MAXI MASTER 651 PART No. 03066MP			
POSITION	PART No.	DESCRIPTION	QTY.
1	00117 GB	ELECTRIC CORD 2X1(GB)	1
2	00138	CABLE SLEEVE	1
3	00139	CABLE CLAMP	1
4	01008	SCREW T.1/2 CROSS 5X20	2
5	03032	CORD HOOK	1
6	01054	RAPIDFIX 5,2X50	4
7	03034	HANDLE	1
8	01050	RAPIDFIX 5X35	2
9	01006	SCREW T.1/2 CROSS 5X20	4
10	01005	SCREW T.1/2 5X14	2
11	00490	TERMINAL BLOCK "G"	1
12	01054	RAPIDFIX 5,2X50	2
13	03033	COVER MVW 600 1 MOTOR	1
14	01006	SCREW T.1/2 CROSS 5X20	2
15	00484	ANTISPLASH SWITCH	1
16	01005	SCREW T.1/2 5X14	6
17	02933	AIR INTAKE	1
18	01054	RAPIDFIX 5,2X50	9
19	01502	GROMMET	1
20	03383	BLANKING CAP	2
21	02957	COVERING MVW 600 3 MOTORS	1
22	02627	SCREW PAT TMT PHL 5X40	9
23	02627	SCREW PAT TMT PHL 5X40	3
24	02937	MOTORFASTENER MVW 600 3 MOTORS	1
25	03189	SCREW M5X30 UNI7989	1
26	01004	SCREW "TC" 4,3X19	1
27	00450	TERMINAL BLOCK 2 POLE	1
28	03455	FILTER MTP/30 AU-AD SP.20	3
29	01198	SCREW 4,8X19	4
30	00310	PLASTIC RING FOR MOTOR 1200 W.	1
31	03660	"L" GASKET S/F	1
32	02051	MOTOR 1080 W.240 V.50 HZ	1
33	00119	GASKET A L	1
34	01006	SCREW T.1/2 CROSS 5X20	8
35	03660	"L" GASKET S/F	2
36	03451	BLANKING PIECE	2
37	03454	FILTER FONO MTP/30 AU SP.45	3
38	01207	PLASTIC SPACER FOR DEADENING STRI	3
39	03456	GASKET MTP/30 AU-AD 50X10X125	3
40			
41	03519	BASE CLIP	2
42	03108	COMPL BASE 600/400 3 MOTORS	1
*	01101	CONNECTING WIRES	4
*	01106	CLIP	2
*	01107	WIRE WITH RESISTANCE	1
50	02049	INTERFERENCE SUPPRESSOR	1
51	01121	RESISTANCE 1/2 WATT 680 K-OHM	1

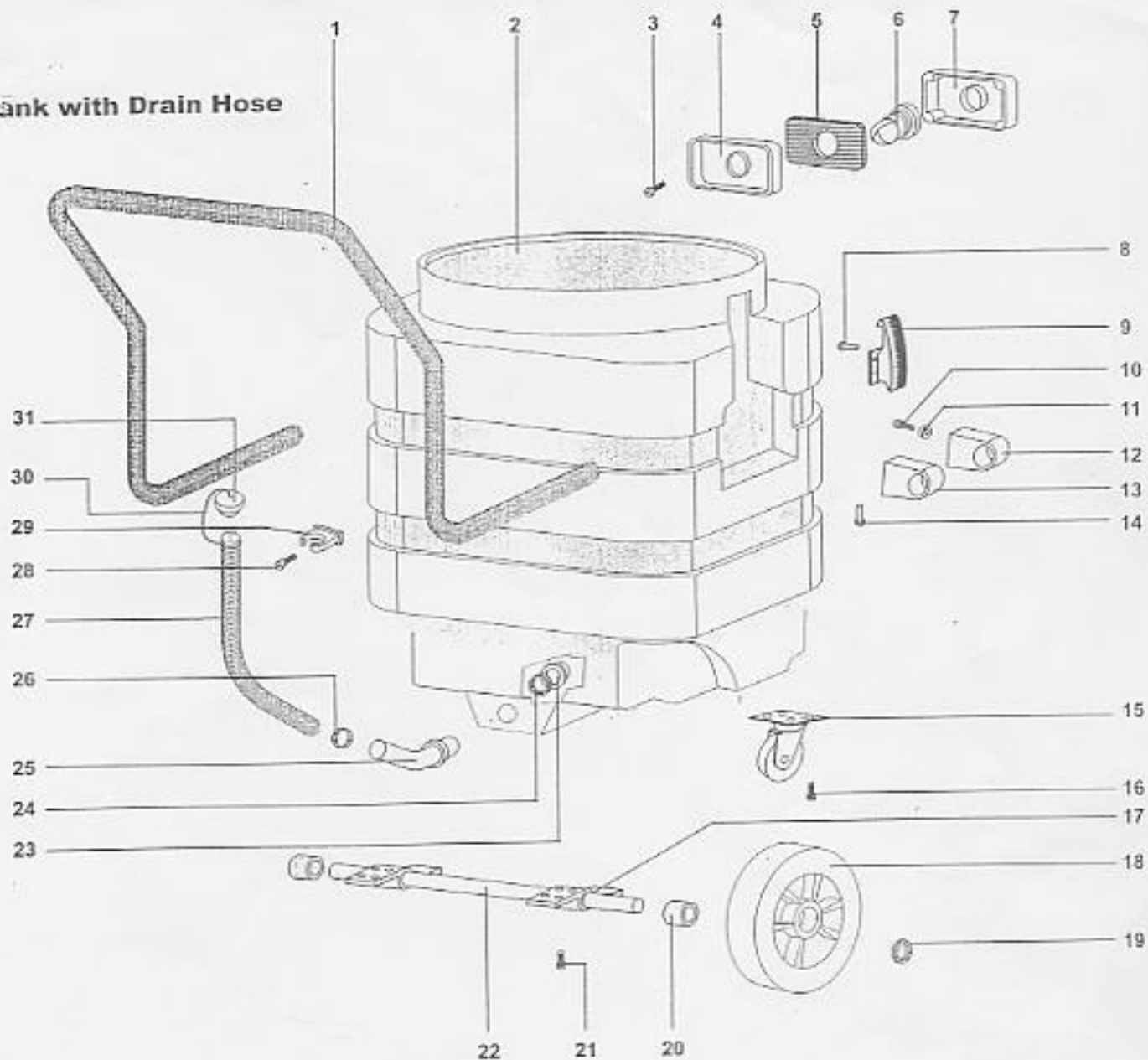
FILTER GROUP MAXI MASTER PART No. 04246

POSITION	PART No.	DESCRIPTION	QTY.
1	03706	SPACER B	4
2	03156	SCREW 5x20 INOX	4
3	02823	HIGHER ANTIFOAM BODY 99	1
4	03117	NET FILTER 0.4 D.90 H=76	1
5	02576	HIGHER FLOAT 99	1
6	00473	FILTER RING 400	1
7	02845	CONICAL POLYESTER FILTER 400	1
8	02833	FILTER FRAME	1
9	02852	CARTRIDGE FILTER D.175X145X163	1
10	02855	FILTER HOLDING DISC	1

OPTIONAL
OPTIONAL



Maxi Tank with Drain Hose



TANK 65litre w/DRAIN HOSE PART No. 02615			
POSITION	PART No.	DESCRIPTION	QTY
1	02558	HANDLE	1
2	02637	TANK ONLY W/O HOLE	1
3	01026	RAPIDFIX 5X30	4
4	02584	GASKET 99	1
5	02846	GASKET D.38	1
6	02593	DEFLECTOR 99	1
7	02652 A	INLET R 155	1
8	01300	COLUMBUS RIVET	4
9	01847/S	COMPLETE PLASTIC HOOK/S	2
10	01026	RAPIDFIX 5X30	8
11	02974	PLAST WASHER	8
12	01072	HANDLE SUPPORT	2
13	01000	PASSING SUPPORT HANDLE	2
14	01302	RIVET 5X19	2
15	02559	WHEEL D.80	2
16	02680	SCREW *TC* 4X15	8
17	02556	AXLE BRACKET	2
18	00904	REAR WHEEL D.200	2
19	02557	LOCKING RING D.18	2
20	02607	WHEEL SPACER	2
21	01006	SCREW T.1/2 CROSS 5X20	8
22	02555	WHEEL AXLE	1
23	00834	RING 1-1/4"	1
24	00256	GASKET	1
25	02763	FITTING CONNECTOR 45ø 1-1/4"	1
26	03308	CLAMP 265x9	1
27	02765	DRAIN TUBE D.34 L=500	1
28	03156	SCREW 5x20 ZINC	1
29	02788	LIRA CLAMP D.34	1
30	02812	TIE ROD CAP	1
31	02784	PVC CAP D.40 X 35	1