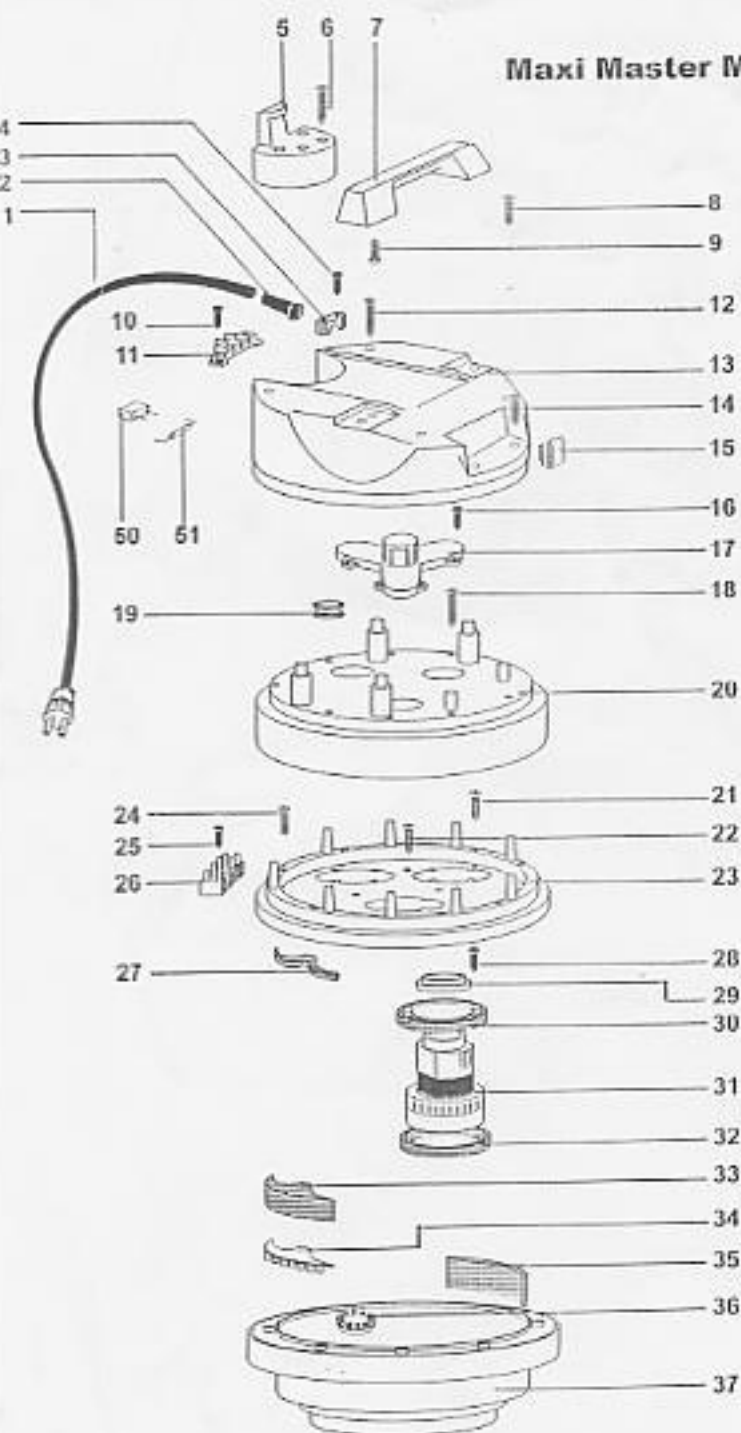


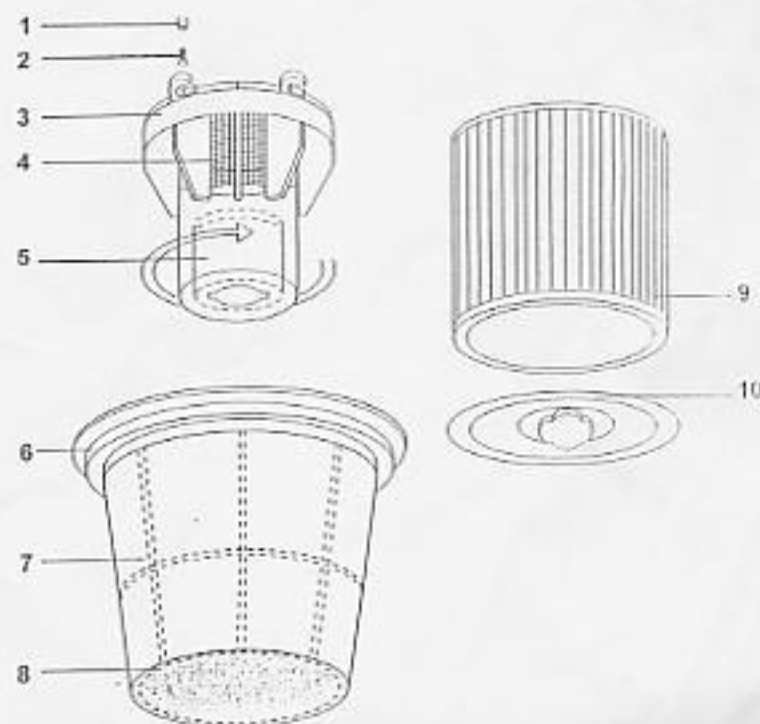
Maxi Master MVW 653



MOTOR HEAD MAXI MASTER 653 PART No. 03063PL			
POSITION	PART No.	DESCRIPTION	QTY
1	04062 GB	ELECTRIC CORD 2X1,5 (5B)	1
2	00136	CABLE SLEEVE	1
3	00139	CABLE CLAMP	1
4	01000	SCREW T. 1/2 CROSS 5X20	2
5	03032	CORD HOOK	1
6	01054	RAPIDFIX 5.2X50	4
7	03034	HANDLE	1
8	01050	RAPIDFIX 5X35	2
9	01006	SCREW T. 1/2 CROSS 5X20	4
10	01005	SCREW T. 1/2 5X14	2
11	00490	TERMINAL BLOCK "G"	1
12	01054	RAPIDFIX 5.2X50	2
13	03001	COVER MVW 600 3 MOTORS	1
14	01006	SCREW T. 1/2 CROSS 5X20	2
15	00484	ANTIFLASH SWITCH	3
16	01005	SCREW T. 1/2 5X14	6
17	02933	AIR INTAKE	1
18	01054	RAPIDFIX 5.2X50	9
19	01502	GROMMET	1
20	02957	COVERING MVW 600 3 MOTORS	1
21	02627	SCREW PAT TMT PHL 5X40	9
22	02627	SCREW PAT TMT PHL 5X40	3
23	02937	MOTORFASTENER MVW 600 3 MOTORS	1
24	03189	SCREW M5x30 UNI7989	1
25	01004	SCREW "TC" 4, 3X19	1
26	02659	TERMINAL BLOCK 6 POLE	1
27	03455	FILTER MTP/30 AU-AD SP.20	3
28	01198	SCREW 4.5X19	12
29	00310	PLASTIC RING FOR MOTOR 1200 W.	3
30	03660	"L" GASKET S/F	3
31	02051	MOTOR 1080 W.240 V.50 HZ	3
32	00119	GASKET A L	3
33	03454	FILTER FOND MTP/30 AU SP.45	3
34	01207	PLASTIC SPACER FOR DEADENING STRIP	3
35	03456	GASKET MTP/30 AU-AD 50X10X125	3
36	00408	AUTOMATIC VALVE	3
37	03108	COMPL. BASE 600/400 3 MOTORS	1
*	01101	CONNECTING WIRES	12
*	01106	CLIP	4
*	01107	WIRE WITH RESISTANCE	1
50	02049	INTERFERENCE SUPPRESSOR	1
51	01121	RESISTANCE 1/2 WATT 680 K-OHM	1

FILTER GROUP MAXI MASTER PART No. 04246			
POSITION	PART No.	DESCRIPTION	QTY.
1	03708	SPACER 8	4
2	03166	SCREW 5x20 INOX	4
3	02823	HIGHER ANTIFOAM BODY 99	1
4	03117	NET FILTER 0.4 D.80 H=75	1
5	02876	HIGHER FLOAT 99	1
6	00473	FILTER RING 400	1
7	02845	CONICAL POLYESTER FILTER 400	1
8	02833	FILTER FRAME	1
9	02852	CARTRIDGE FILTER D.175X145X163	1
10	02855	FILTER HOLDING DISC	1

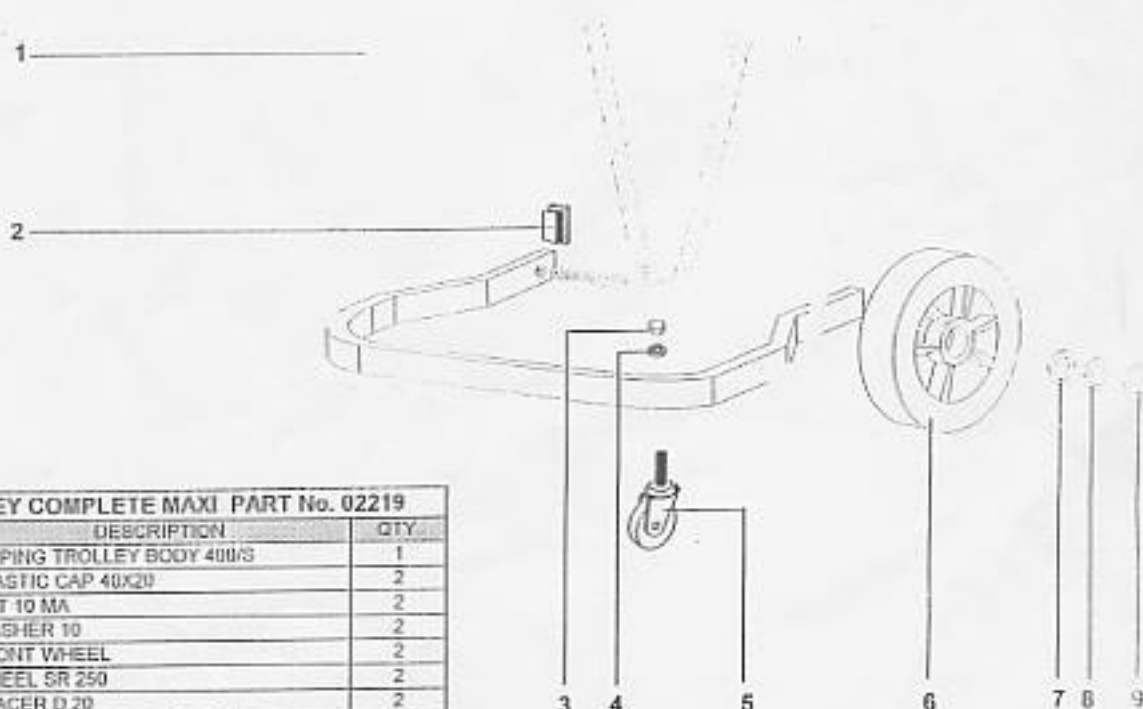
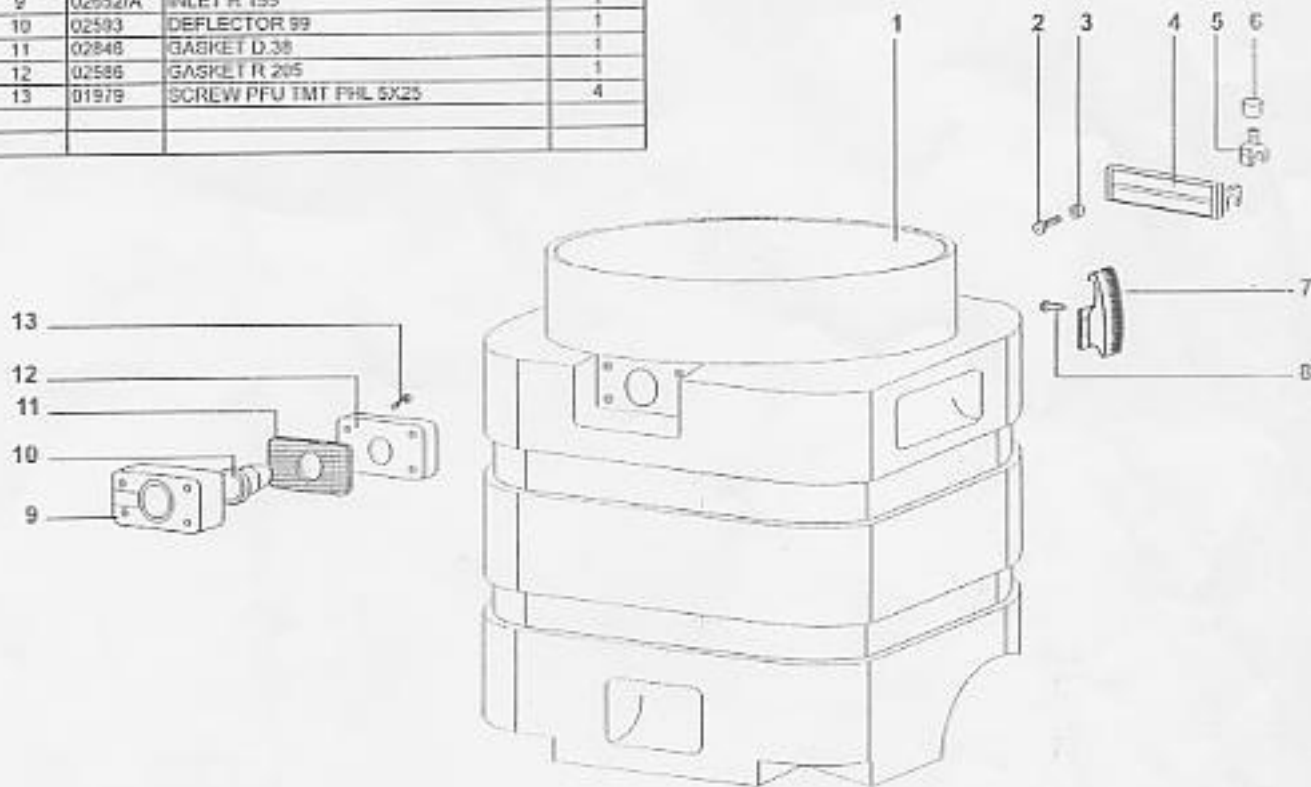
OPTIONAL
OPTIONAL



Maxi Tipping Tank

TIPPING TANK COMPLETE MAXI PART No. 02218

POSITION	PART No.	DESCRIPTION	QTY
1	02218	COMPLETE TIPPING PLASTIC TANK	1
2	01050	RAPIDFIX 5X35	4
3	02974	PLASTIC WASHER	4
4	03028	BODY HINGE	1
5	02970	GRIPPING HINGE	2
6	02969	HINGE KNOB	2
7	01847/S	COMPLETE PLASTIC HOOK/S	2
8	01300	COLUMBUS RIVET	4
9	02552/A	INLET R 155	1
10	02593	DEFLECTOR 99	1
11	02848	GASKET D.38	1
12	02586	GASKET R 205	1
13	01979	SCREW PFU TMT PHL 5X25	4



TIPPING TROLLEY COMPLETE MAXI PART No. 02219

POSITION	PART No.	DESCRIPTION	QTY
1	02185	TIPPING TROLLEY BODY 400/S	1
2	00976	PLASTIC CAP 40X20	2
3	00478	NUT 10 MA	2
4	01012	WASHER 10	2
5	00479	FRONT WHEEL	2
6	02890	WHEEL SR 250	2
7	02922	SPACER D.20	2
8	03607	PLASTIC WASHER D.40x20,5x3	2
9	02972	CUP WHEEL C.250	2