

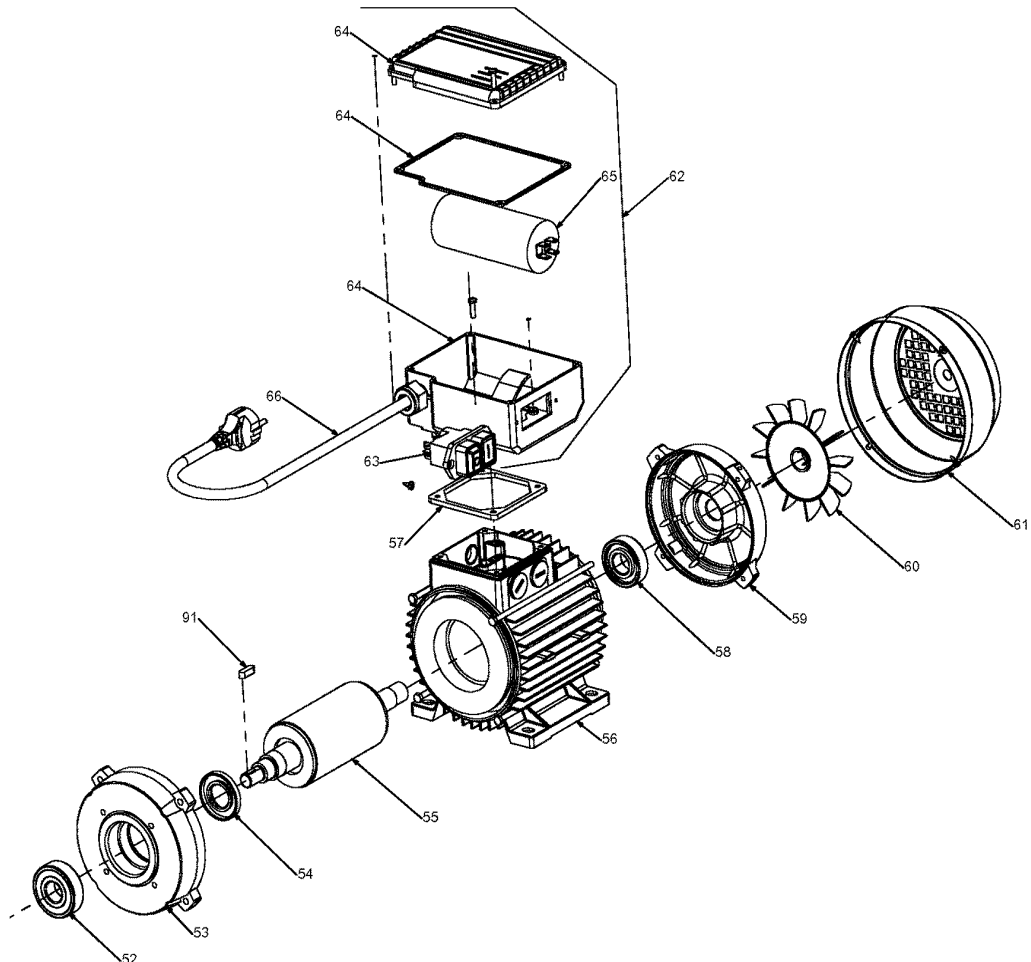
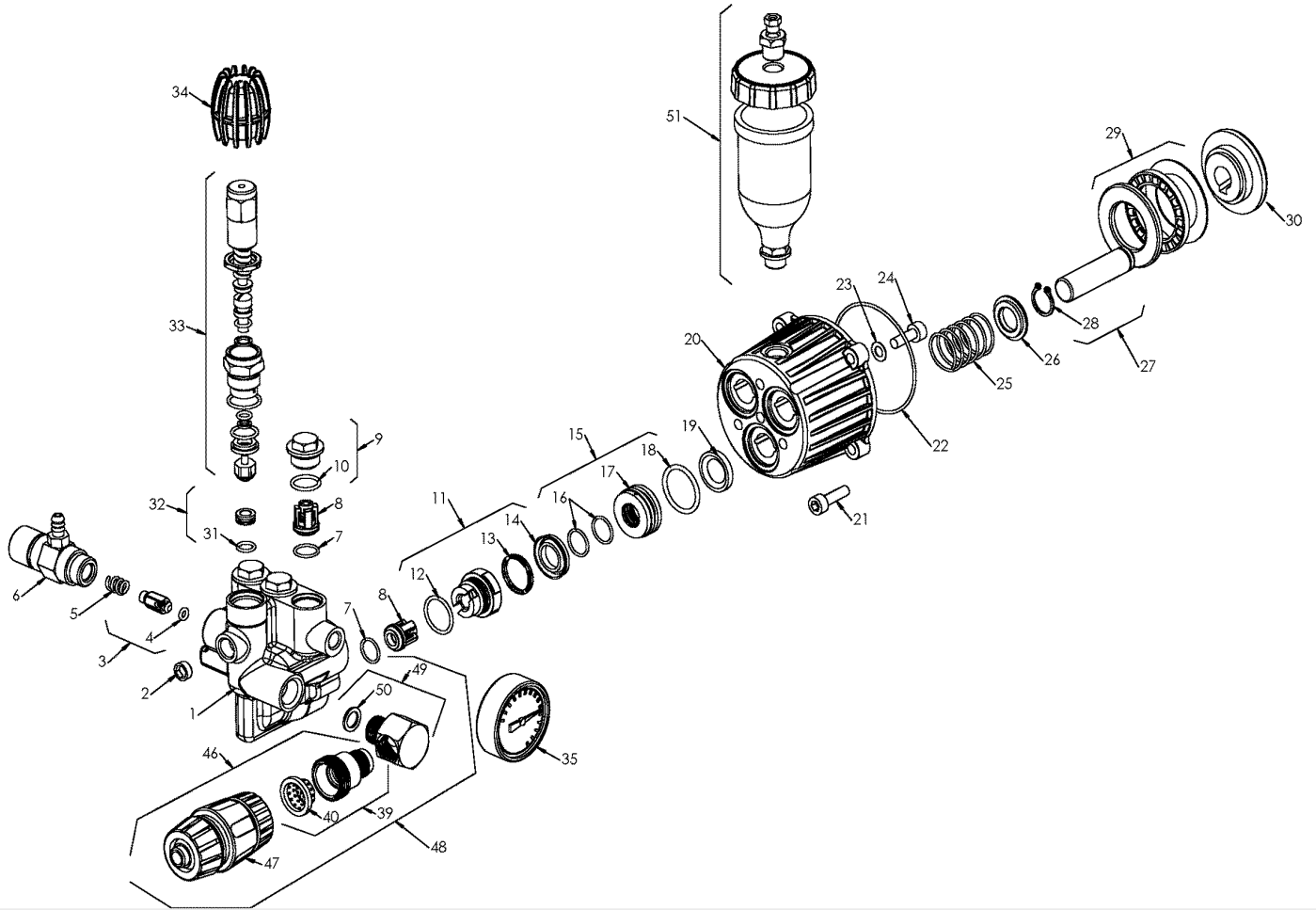
# Service Quick and reference Guide





**S01587HM10SA0603**  
P.SHOT B 135 LT 9 MEC80 HP2.6 230 50 HZ

# Motorpump explosion view for: S01587HM10SA0603



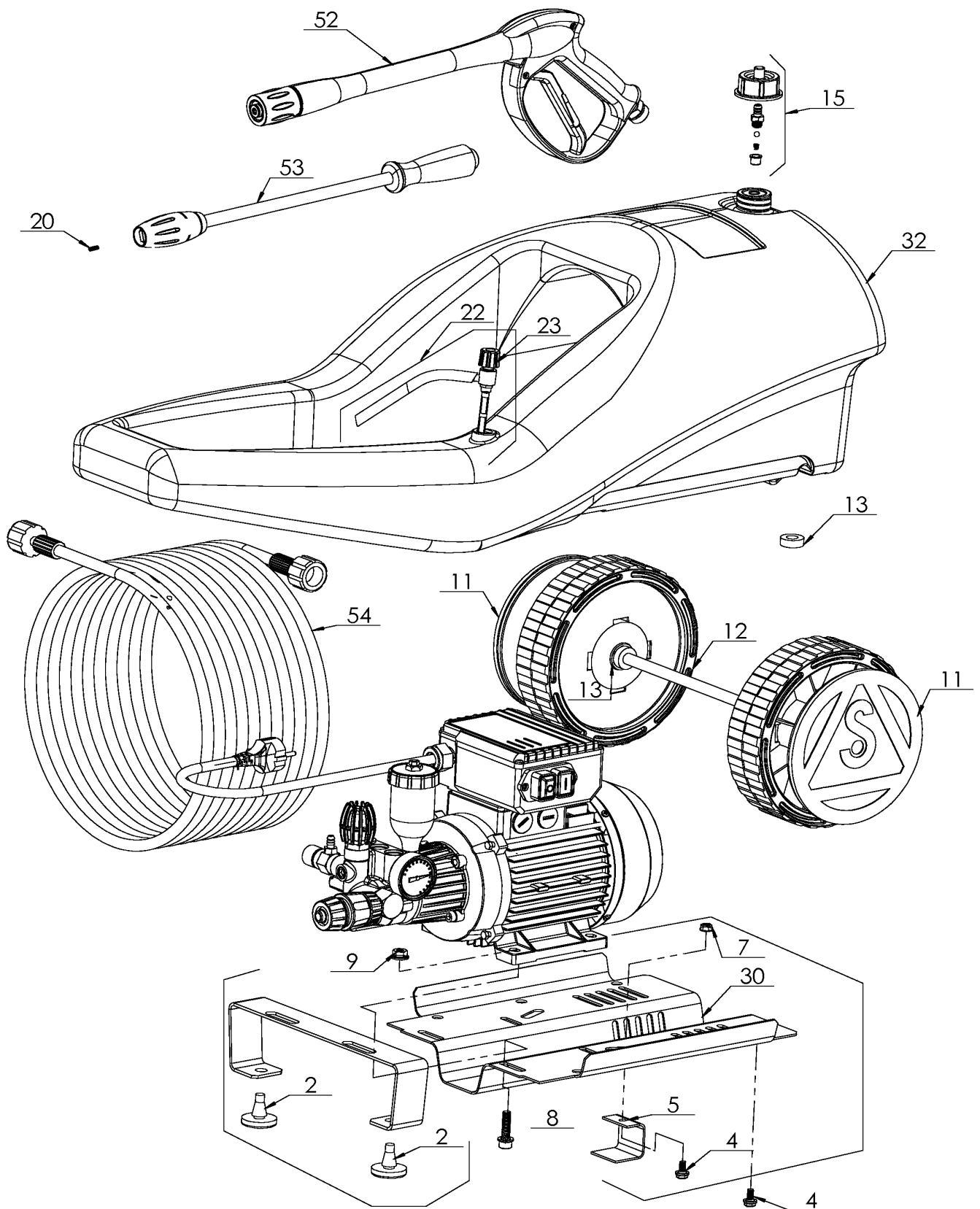
# Motorpump components for: S01587HM10SA0603



Ref.	Part No.	Description	Q.ty	Pri €
1	04.041	Brass pump head	1	54,23
2	04.040	Plug EI G. 1/4	1	1,34
3	04.044.2	No return valve + o-ring	1	2,17
4	04.043	O-Ring	1	0,31
5	04.045	No return valve spring	1	0,23
6	04.046.6	Outlet Water compl of Fix detergent asp.	1	9,60
7	04.017	O-Ring	6	0,18
8	04.018.4	Fan	6	2,89
9	04.020.2	Plug + o-ring	3	1,60
10	04.019	O-Ring	1	0,13
11	04.049.4	Vlaves soket with seals	3	3,00
12	04.047	O-Ring	3	0,18
13	02.054	Inner V-sleeve	3	0,41
14	04.050	Water gasket	3	2,43
15	04.052.3	Back ring + oring	3	2,00
16	04.051	O-Ring	6	0,12
17	04.052	Back Ring	3	4,39
18	04.016	O-Ring	3	0,26
19	04.015	Ring	3	1,81
20	04.014	Carter	1	13,43
21	04.012	Screw	4	0,46
22	04.006	O-Ring	1	0,50
23	04.011	Copper ring	4	0,26
24	04.010	Screw	4	0,52
25	04.009	Piston spring	3	1,34
26	04.008	Spring seat	3	2,84
27	04.005.2	Piston Ø15	3	6,12
28	04.007	Ring segeer diam. 15	3	0,21
29	04.057.3	Complete Roller Bearing P.Shot P.Duty	1	15,55
30	04.051.H	Swash Plate	1	11,62
31	04.036	O-Ring	1	0,52
32	04.035.2	Seat VRP + OR	1	2,58
33	04.022.13GR	Kit Pressure regulation	1	17,04
34	04.021	Pressure regulation knob	1	2,58
35	04.037	Manometer	1	11,36
39	ES. 3	Water inlet connection	1	9,24
40	02.050	Water filter	1	1,03
46	ES. 3.A	Inlet water + rubber hose connection	1	15,44
47	02.451	Plastic quick connection	1	6,20
48	ES. 3.C	Angle inlet water	1	22,57
49	02.052.2	Right angle fitting	1	6,71
50	02.047	Copper washer	1	0,41
51	04.481.5GR	Completed contenitor of oil	1	9,30
52	01.515	Front bearing for M80 engine	1	29,00
53	01.034	Flange B14 80 frame	1	25,50
54	01.514	Oil seal for M80 engine	1	9,10
55	01.039	Engine rotor Hp.2.6 m80 230/240V-50 Hz.	1	150,00
56	01.038	Eng.Stator Hp2.6 80 Frame 230/240-50 Hz	1	250,00
57	01.417	Gasket for electric box base	1	1,29
58	01.443	Bearing Mec 80	1	6,20
59	01.041	Shield Mec 80	1	10,33
60	01.044	Frame 80 Engine fan	1	2,84
61	01.045	Fan cover Mec 80	1	15,49
62	01.419.E.4	Elec.Box M80 single ph.with elec.parts	1	0,00
63	01.508	Single phase switch 16A 230V green-red	1	22,72
64	01.419	Electric box for single phase motor	1	10,85
65	01.457	50 mF capacitor with cable	1	38,73
66	01.513	Cable with Shuco plug single phase mot	1	30,00
91	01.408	Key	1	0,54

Ref.	Part No.	Description	Q.ty	Pri €
8	04.018.4	Fan	6	---
KIT	04.046.1GR	Outlet water group composed of:	1	18,70
3	04.044.2	No return valve + o-ring	1	---
5	04.045	No return valve spring	1	---
6	04.046.6	Outlet Water compl of Fix detergent asp.	1	---
KIT	04.050.1GR	WATER PACKING KIT composed of:	1	9,04
13	02.054	Inner V-sleeve	3	---
14	04.050	Water gasket	3	---

KIT	04.005.1GR	PISTONS KIT DIAM. 15 composed of:	1	19,32
27	04.005.2	Piston Ø15	3	---
KIT	04.015.1GR	KIT OIL SEALINGS composed of:	1	5,68
19	04.015	Ring	3	---
KIT	04.018.1GR	VALVES KIT composed of:	1	19,37
7	04.017	O-Ring	6	---



# High Pressure Cleaner components: S01587HM10SA0603



Ref.	Part No.	Description	Q.ty	Pri €
1	03.001.3	Bracket with foot	1	9,30
2	03.404	Foot	1	2,58
4	03.406	Screw	1	0,10
5	03.005	Clamp	1	2,84
7	03.408.A	Nut with inside washer	1	0,10
8	02.477.A	Screw	4	0,77
9	02.434.A	Nut M8	4	0,41
11	03.521.C	Black wheel cover	2	2,32
12	03.414	Wheel	2	5,16
13	03.538	Anti-vibration pad	4	0,43
15	03.424.3	Nut Valve	1	7,39
20	03.432.110	Multireg Nozzle	1	4,00
22	03.421.3	Chemical regulation device+filter+tube	1	13,07
23	02.424	Adjustable detergent injector (brass)	1	9,30
29	03.036.5	chassis P.Jet with support	1	0,00
30	03.036	Chassis Power Shot/Jet	1	12,39
31	03.413.13	Axle Jet/Shot compl. w/o wheel cover	1	18,59
32	03.560	Power Shot/Jet framework red	1	118,79
52	04.476	Gun for P.Shot P. Duty	1	41,00
53	04.477	LANCE FOR P.SHOT/P.DUTY	1	28,00
54	04.454.3	High pressure hose 1/4 MT. 8 + O-Ring	1	48,00
No standard components				
--	04.478	Lancia killer p.shot/p.duty 0,35	1	52,00